

WEY® Knife Gate Valve Type MFA

2.2.10

DN 50–600

Standard Construction

Handwheel actuated
 DN 50–600 with
 non-rising stem
 DN 600–1200 with
 bevel gear and
 rising stem

Materials acc. to
 data sheet 2.0.13

Coatings acc. to
 data sheet 2.0.12

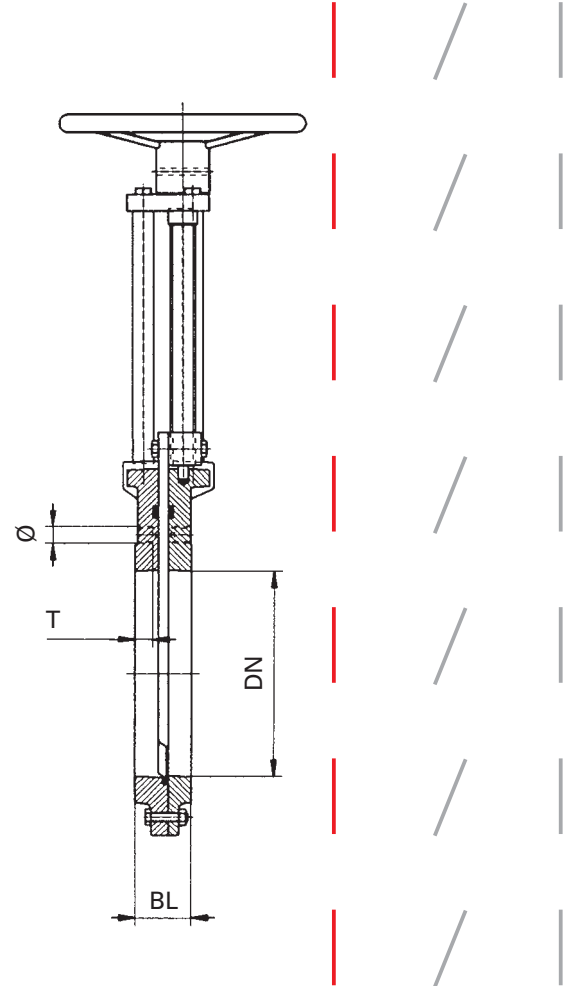
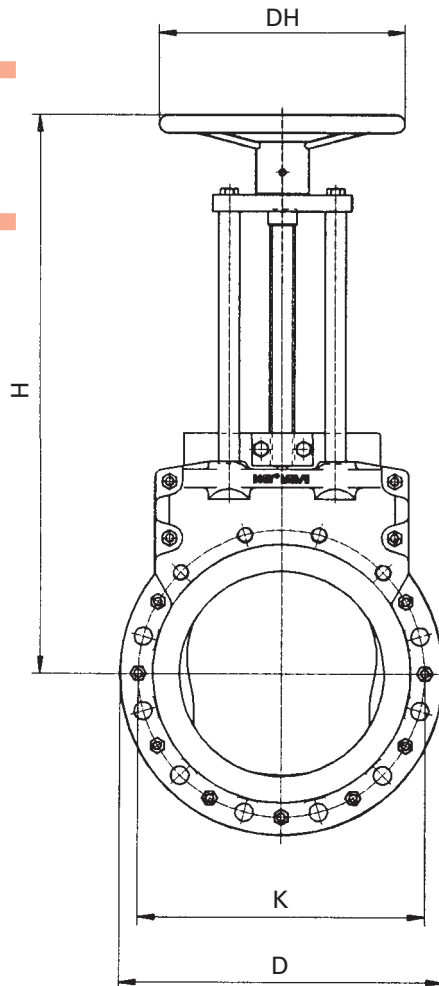
Flange drilling:
 PN10/16
 EN1092/ISO 7005

Face-to-face:
 EN 558-1/ISO 5752
 part 20

Nominal pressure PN:
 DN 50– 300 10 bar
 DN 350– 400 6 bar
 DN 450–1400 4 bar

Operating pressure:
 Refer to table column OP

Test acc.
 EN-12266-1, rate A



All information for
 reference only

Technical modifications
 reserved

DN	D	K	BL	H	DH	Ø	T	Qty bolts	⊕	⊕	Weight (kg)	*OP max. (bar)
50	165	125	43	274	150	M16	18	4	2	2	10	10
① 65	185	145	46	293	150	M16	20	4	2	2	11	10
80	200	160	46	338	200	M16	13	8	2	6	15	10
100	220	180	52	384	200	M16	16	8	2	6	17	10
125	250	210	56	418	200	M16	18	8	2	6	21	10
150	285	240	56	500	300	M20	16	8	2	6	31	10
200	340	295	60	585	300	M20	18	8	2	6	43	10
250	395	350	68	675	300	M20	21	12	4	8	59	10
300	445	400	78	784	400	M20	21	12	4	8	82	10
350	505	460	78	875	400	M20	18	16	4	12	99	6
400	565	515	102	960	400	M24	24	16	4	12	137	6
450	615	565	114	1112	500	M24	28	20	6	14	239	4
500	670	620	127	1173	500	M24	28	20	6	14	259	4
600	780	725	154	1391	630	M27	32	20	6	14	355	4

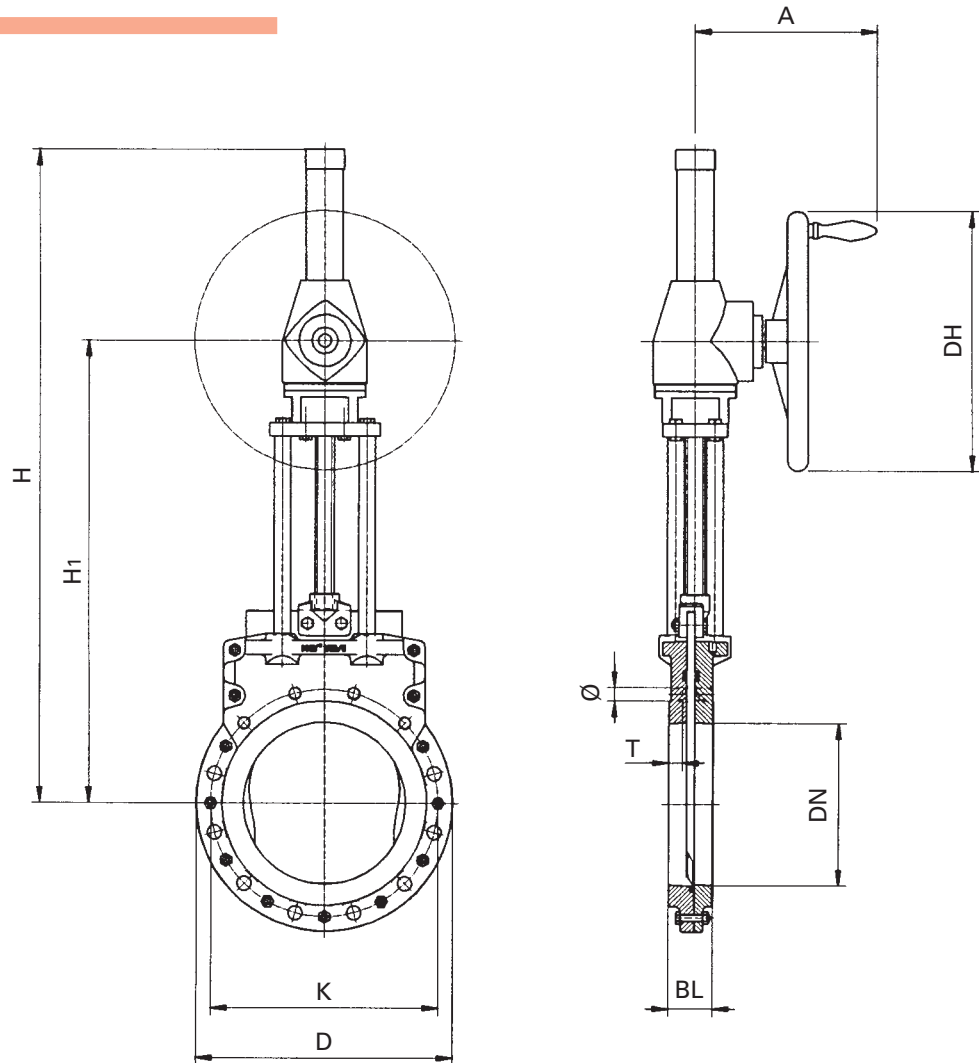
*Applicable for troublefree media service

① DN 65 with 4 holes



WEY® Knife Gate Valve Type MFA

DN 600–1400



DN	D	K	BL	H	H ₁	DH	A	Ø	T	Qty bolts	⊕	⊕	Bevel gear GK	Weight (kg)	*OP max. (bar)
600	780	725	154	2036	1448	400	198	M27	34	20	6	14	14.2	369	4
700	895	840	165	2333	1645	400	198	M27	41	24	8	16	14.6	680	4
800	1015	950	190	2608	1820	500	207	M30	43	24	8	16	14.6	840	4
900	1115	1050	203	3022	2133	600	244	M30	45	28	10	18	16.2	1220	4
1000	1230	1160	216	3287	2298	800	259	M33	48	28	10	18	16.2	1680	4
1200	1455	1380	254	3752	2663	1000	333	M36	52	32	12	20	16.2	2990	4
1400	1675	1590	279	3194	3088	1000	405	M39	55	36	12	24	25.2	3970	4