

WEY® Knife Gate Valve Type MFE

2.2.40

DN 50–1400

Standard Construction

Valve operated by electrical actuator 400 V, 50 Hz with rising stem

Material acc. to data sheet 2.0.13

Coating acc. to data sheet 2.0.12

Flange drilling: PN10/16 EN1092/ISO 7005

Face-to-face: EN 558-1/ISO 5752 part 20

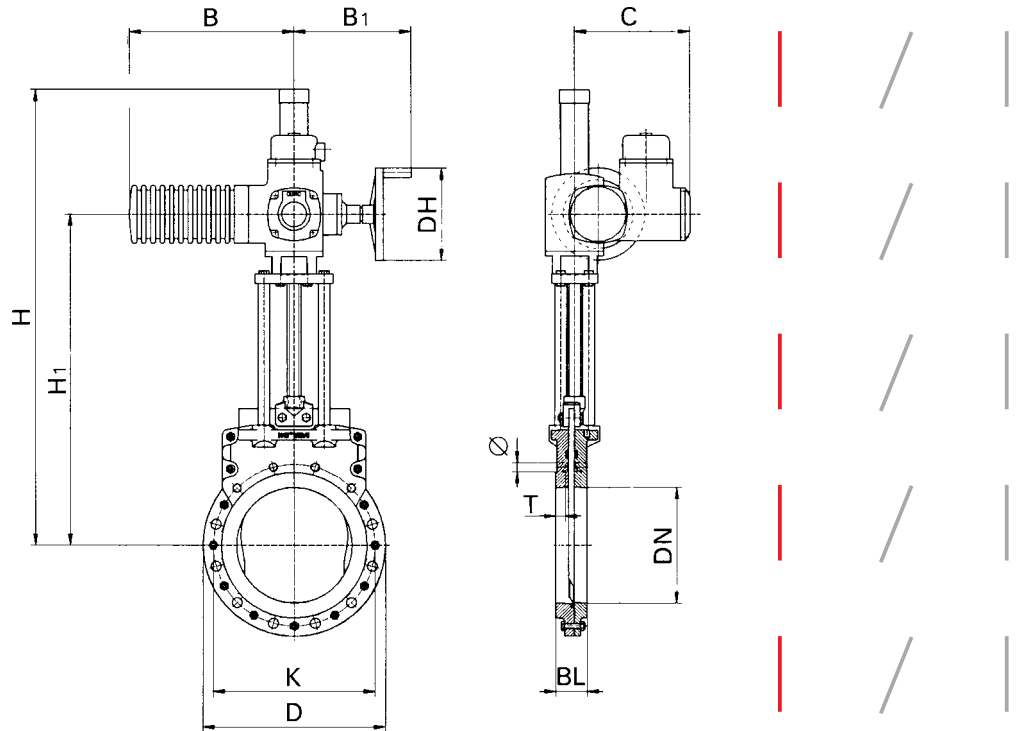
Nominal pressure PN:
 DN 50–300 10 bar
 DN 350–400 6 bar
 DN 450–1400 4 bar

Test acc. EN-12266-1, rate A

Operating pressure: Refer to table column OP

All information for reference only

Technical modifications reserved



DN	D	K	BL	H	H ₁	DH	B	B ₁	C	∅	T	Qty screws	⊕	⊕	Actuator SA...	Weight (kg)	*OP max. bar
50	165	125	43	511	336	140	265	249	237	M16	17	4	2	2	07.1	25	10
65	185	145	46	531	356	140	265	249	237	M16	18	4	2	2	07.1	26	10
80	200	160	46	576	401	140	265	249	237	M16	13	8	2	6	07.1	30	10
100	220	180	52	622	447	140	265	249	237	M16	16	8	2	6	07.1	32	10
125	250	210	56	656	481	140	265	249	237	M16	18	8	2	6	07.1	36	10
150	285	240	56	706	529	160	265	249	237	M20	16	8	2	6	07.5	42	10
200	340	295	60	791	614	160	265	249	237	M20	18	8	2	6	07.5	53	9
250	395	350	68	904	716	200	282	254	247	M20	21	12	4	8	10.1	77	10
300	445	400	78	1099	811	200	282	254	247	M20	21	12	4	8	10.1	106	7
350	505	460	78	1190	902	200	282	254	247	M20	18	16	4	12	10.1	144	5
400	565	515	102	1375	987	200	282	254	247	M24	24	16	4	12	10.1	192	4
450	615	565	114	1541	1139	315	385	329	285	M24	28	20	6	14	14.1	249	4
500	670	620	127	1602	1200	315	385	329	285	M24	28	20	6	14	14.1	310	4
600	780	725	154	1898	1396	400	384	336	285	M27	32	20	6	14	14.5	432	4
700	895	840	165	2248	1690	500	510	354	285	M27	41	24	8	16	16.1	710	4
800	1015	950	190	2658	1865	500	510	354	307	M30	43	24	8	16	16.1	900	4
900	1115	1050	203	2944	2150	500	510	354	307	M30	45	28	10	18	16.1	1250	4
1000	1230	1160	216	3268	2355	400	520	405	366	M33	48	28	10	18	25.1	1840	4
1200	1455	1380	254	3824	2720	400	520	405	366	M36	52	32	12	20	25.1	3150	4
1400	1675	1590	279	4469	3155	500	610	434	610	M39	55	36	12	24	30.1	3920	4

*Applicable in troublefree media. Larger size actuators on request.

