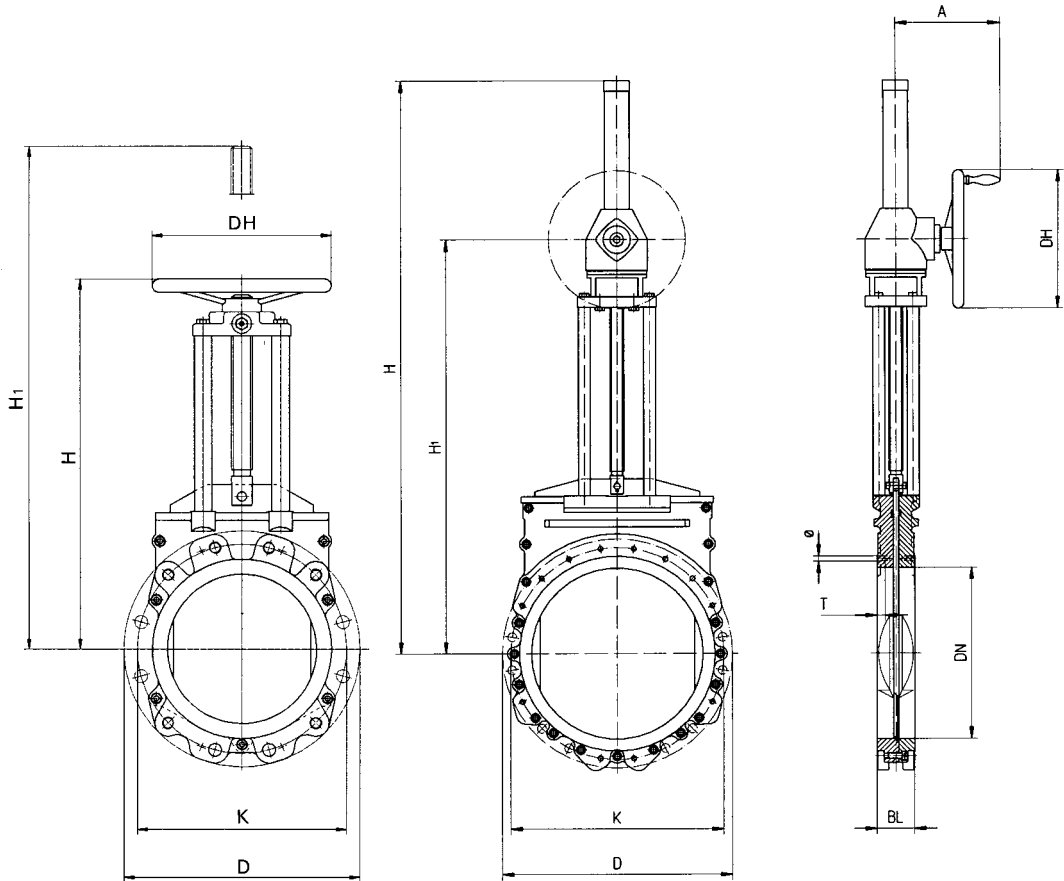


DN 450–600

DN 600–1200



DN	D	K	BL	H	H ₁	DH	A	Ø	T	Qty. bolts	⊕	⊕	Gear GK	Weight (kg)	OP (bar)
450	615	565	100	1119	–	470	–	M24	24	20	10	10	–	195	4
500	670	620	110	1209	–	470	–	M24	24	20	10	10	–	232	4
600	780	725	130	1422	–	630	–	M27	27	20	12	8	–	420	2.5
600	780	725	130	1949	1390	400	292	M27	27	20	12	8	14.6	430	4
700	895	840	150	2239	1580	500	301	M27	35	24	8	16	14.6	623	2.5
800	1015	950	160	2568	1808	500	335	M30	35	24	8	16	16.2	895	2.5
900	1115	1050	180	3017	2128	500	335	M30	37	28	10	18	16.2	1228	2.5
1000	1260	1160	200	3203	2243	630	338	M33	40	28	10	18	16.2	1770	2.5
1200	1455	1380	260	3846	2678	630	410	M36	48	32	10	22	25.2	2930	2.5