

WEY® Knife Gate Valve Type SLE

2.3.40

DN 450–1200



Standard Design

Semi-lug (tapped)
 body design
 with 4 post topwork

Electric actuation
 with 3ph, 220/400V
 50 Hz motor with
 rising stem

Materials acc.
 data sheet 2.0.13

Coatings acc.
 data sheet 2.0.12

Flange drilling:
 PN10/16
 EN1092/ISO 7005

Nominal pressure PN:
 DN 450– 600 4 bar
 DN 700–1200 2.5 bar

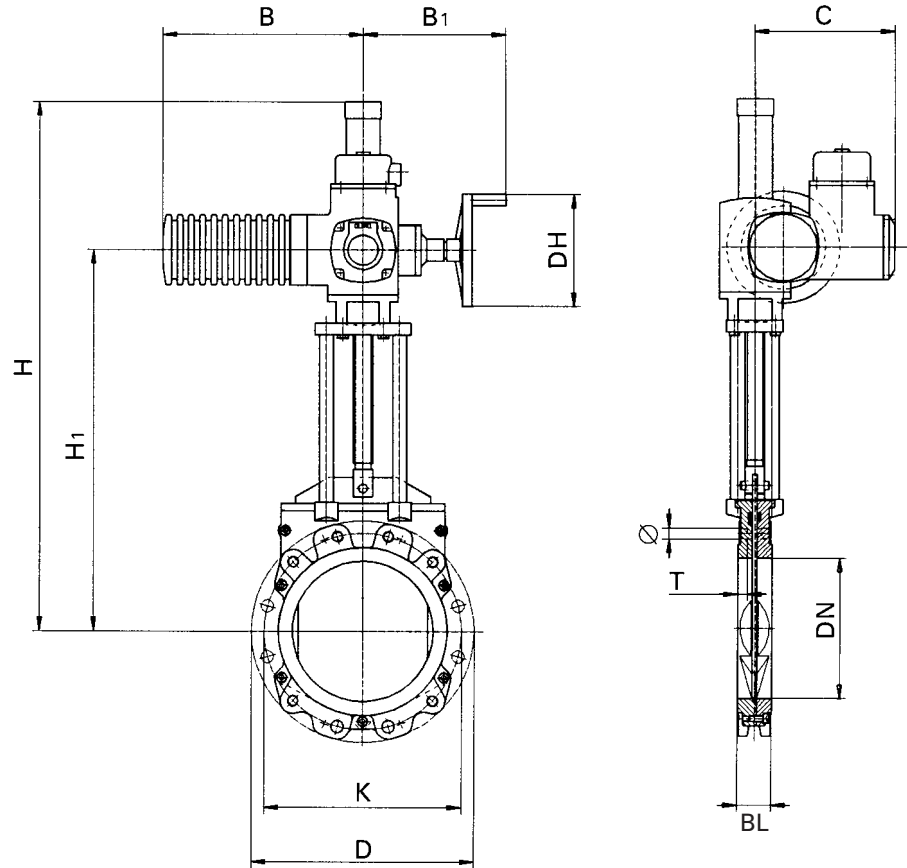
Operating pressure:
 Refer to table column OP

Test acc.
 EN-12266-1, rate A

All information for
 reference only

Modifications
 reserved





| Size DN | D | K | BL | H | H ₁ | DH | B | B ₁ | C | ∅ | T | Qty. bolts | ⊕ | ⊕ | Actuator type SA... | Weight (kg) | *OP (bar) |
|------------|------|------|-----|------|----------------|-----|-----|----------------|-----|-----|----|---------------|----|----|---------------------------|----------------|--------------|
| 450 | 615 | 565 | 100 | 1498 | 1125 | 315 | 385 | 329 | 285 | M24 | 24 | 20 | 10 | 10 | 14.1 | 248 | 4 |
| 500 | 670 | 620 | 110 | 1688 | 1215 | 315 | 385 | 329 | 285 | M24 | 24 | 20 | 10 | 10 | 14.1 | 285 | 4 |
| 600 | 780 | 725 | 130 | 1973 | 1400 | 315 | 385 | 329 | 285 | M27 | 27 | 20 | 12 | 8 | 14.1 | 468 | 3 |
| 700 | 895 | 840 | 150 | 2263 | 1590 | 315 | 385 | 329 | 285 | M27 | 35 | 24 | 8 | 16 | 14.1 | 661 | 2 |
| 800 | 1015 | 950 | 160 | 2519 | 1825 | 500 | 510 | 354 | 307 | M30 | 35 | 24 | 8 | 16 | 16.1 | 931 | 2 |
| 900 | 1115 | 1050 | 180 | 2968 | 2145 | 500 | 510 | 354 | 307 | M30 | 37 | 28 | 10 | 18 | 16.1 | 1288 | 2 |
| 1000 | 1230 | 1160 | 200 | 3154 | 2260 | 500 | 510 | 354 | 307 | M33 | 40 | 28 | 10 | 18 | 16.1 | 1836 | 2 |
| 1200 | 1455 | 1380 | 260 | 3754 | 2660 | 500 | 510 | 354 | 307 | M36 | 48 | 32 | 10 | 22 | 16.1 | 2961 | 2 |

*Applicable for troublefree media service. Larger size actuators on request.