

WEY® Knife Gate Valve Type MGA-PN16

2.5.10

DN 50–300

Standard Construction

Materials acc. to data sheet 2.0.13

Coating acc. to data sheet 2.0.12

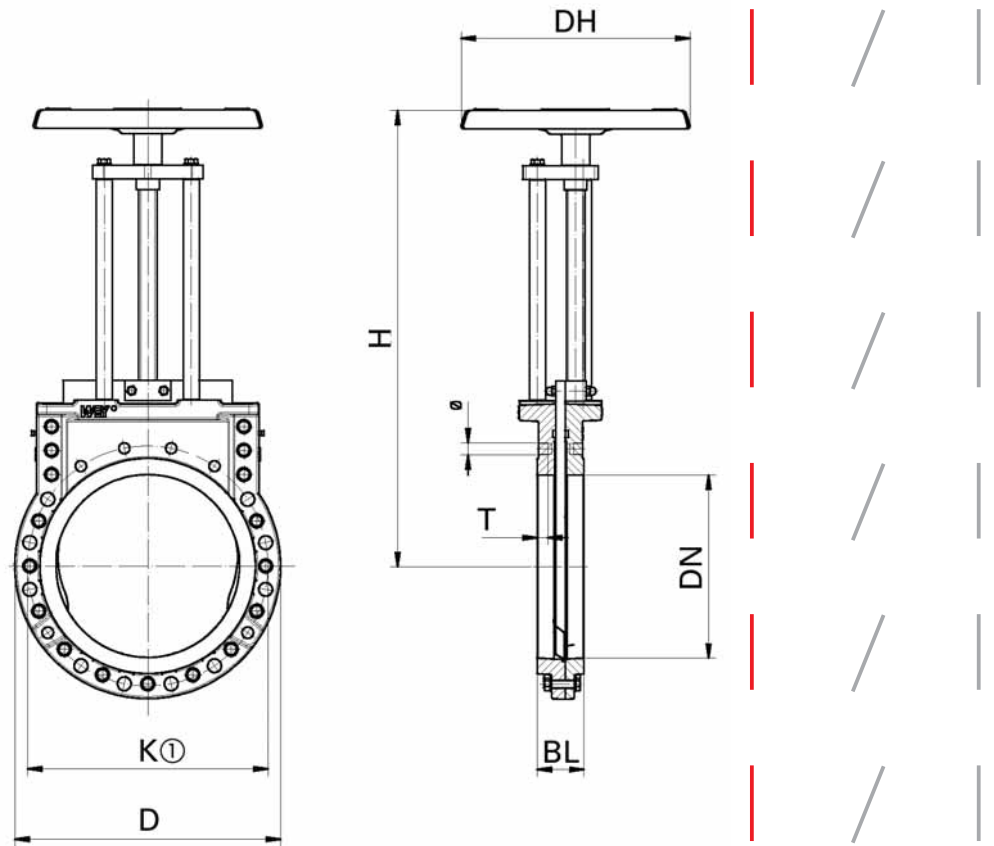
Flange drilling: PN10/16 EN 1092 / ISO 7005

Face-to-face: EN 558-1 / ISO 5752 part 20

Nominal pressure PN: 16 bar

Operating pressure: Refer to table column OP

Test acc. EN-12266-1, rate A



All information for reference only

Technical modifications reserved

DN	D PN16	K PN16 ①	BL	H	DH	∅	T	Qty bolts	⊕	⊕	OP (bar) ②	Weight (kg)
50	165	125	43	274	150	M16	18	4	4	-	16	11
80	200	160	46	338	200	M16	14	8	4	4	16	13
100	220	180	52	384	200	M16	16	8	4	4	16	17
150	285	240	56	500	300	M20	16	8	4	4	16	32
200	340	295	60	585	300	M20	18	12	6	6	16	40
250	405	355	68	675	300	M24	17	12	6	6	10	65
300	460	410	78	784	400	M24	20	12	6	6	10	100

① Flange drilling PN10 possible

② All actuators are sufficient for specified pressure conditions on unproblematic media
 Other actuators acc. to various conditions are possible

③ DN 50 - 200 in material EN-GJS-400-15 (EN-JS1030) according type MF

