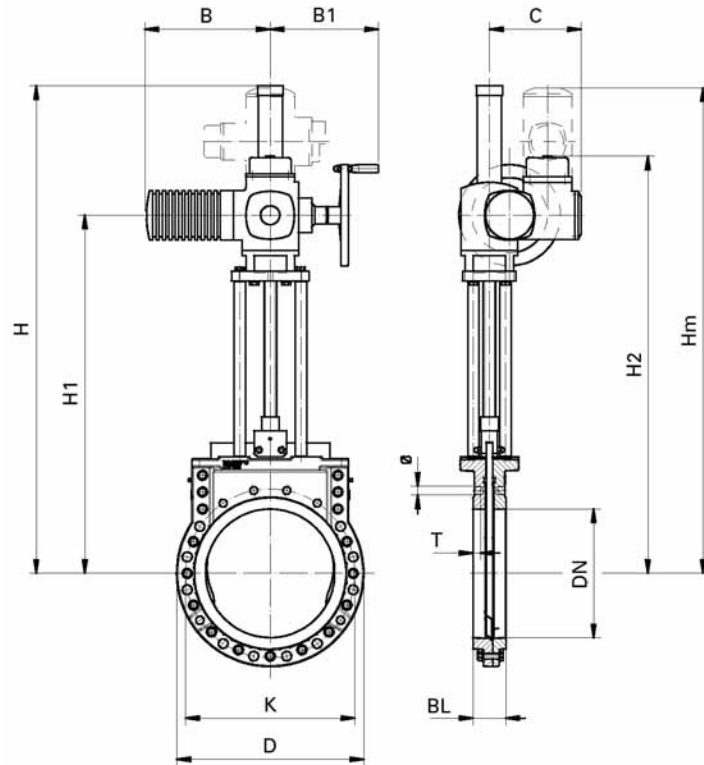


WEY® Knife Gate Valve Type MGE-PN10

2.5.40

DN 50–600



Standard Construction

Materials acc. to data sheet 2.0.13

Coating acc. to data sheet 2.0.12

Flange drilling: PN10/16 EN 1092 / ISO 7005

Face-to-face: EN 558-1 / ISO 5752 part 20

Nominal pressure PN: 10 bar

Operating pressure: Refer to table column OP

Test acc. EN-12266-1, rate A

All information for reference only

Technical modifications reserved

DN	D PN10	K PN10①	BL	H	H1	H2	Hm	B max	B1	C	Ø	T	Qty bolts	⊕	⊕	OP (bar)②	Actuator Auma SA②	Weight (kg)
50	165	125	43	*	336	532	677	265	249	237	M16	18	4	4	-	10	07.1	30
80	200	160	46	*	401	595	741	265	249	237	M16	13	8	4	4	10	07.1	31
100	220	180	52	*	447	642	787	265	249	237	M16	16	8	4	4	10	07.1	36
150	285	240	56	706	529	724	869	265	249	237	M20	16	8	4	4	10	07.5	49
200	340	295	60	813	626	821	966	265	249	237	M20	18	8	2	6	10	07.5	62
④ 250	405	350	68	1004	716	911	1056	282	254	247	M20	17	12	6	6	10	10.1	89
300	460	400	78	1099	811	1006	1151	282	254	247	M20	21	12	6	6	10	14.1	117
350	520	460	78	1375	972	1197	1369	282	254	247	M20	18	16	6	10	10	14.1	174
400	580	515	102	1458	1055	1280	1452	384	329	285	M24	24	16	6	10	10	14.1	223
500	715	620	127	1734	1231	1456	1628	384	329	285	M24	28	20	10	10	10	14.5	379
600	840	725	154	2005	1482	1707	1879	510	354	307	M27	33	20	10	10	10	16.1	601

*protecting tube not necessary

① Flange drilling PN16 possible

② All actuators are sufficient for specified pressure conditions on unproblematic media
 Other actuators acc. to various conditions are possible

③ DN 50 - 200 in material EN-GJS-400-15 (EN-JS1030) according type MF

④ DN 250 actuator 45° turned

