

# WEY® Knife Gate Valve Type MGE-PN16

2.5.41

DN 50–600

Standard Construction

Materials acc. to data sheet 2.0.13

Coating acc. to data sheet 2.0.12

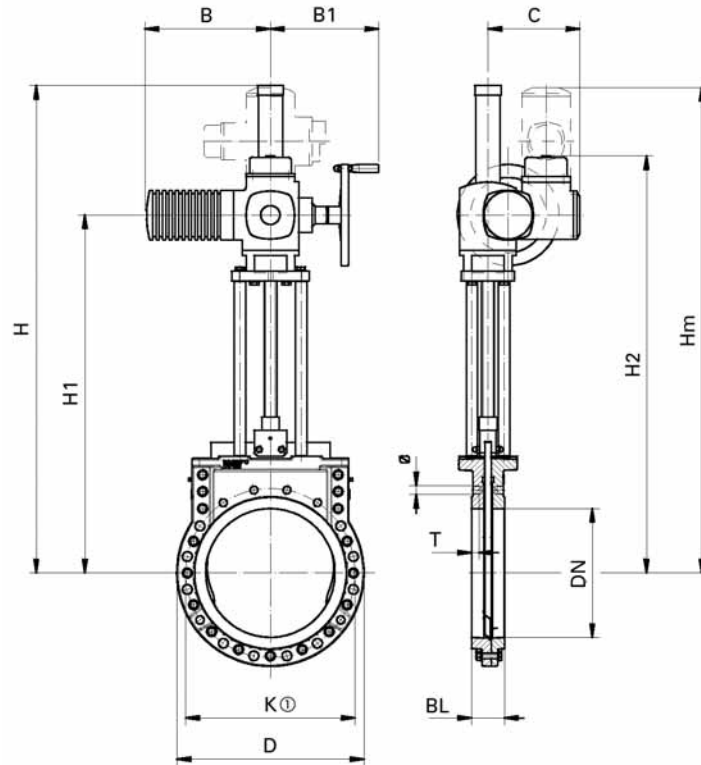
Flange drilling: PN10/16 EN 1092 / ISO 7005

Face-to-face: EN 558-1 / ISO 5752 part 20

Nominal pressure PN: 16 bar

Operating pressure: Refer to table column OP

Test acc. EN-12266-1, rate A



All information for reference only

Technical modifications reserved

DN	D	K	BL	H	H1	H2	Hm	B	B1	C	∅	T	Qty bolts	⊕	⊕	OP (bar) ②	Actuator Auma SA ②	Weight (kg)
	PN16	PN16 ①						max										
50	165	125	43	*	336	532	677	265	249	237	M16	18	4	4	-	16	07.1	30
80	200	160	46	*	401	595	741	265	249	237	M16	14	8	4	4	16	07.1	31
100	220	180	52	*	447	642	787	265	249	237	M16	16	8	4	4	16	07.5	37
150	285	240	56	*	541	736	881	282	254	247	M20	16	8	4	4	16	10.1	53
200	340	295	60	814	626	821	966	282	254	247	M20	18	12	6	6	16	10.1	62
④ 250	405	355	68	969	766	991	1163	384	329	285	M24	15.5	12	6	6	16	14.1	115
300	460	410	78	1064	861	1086	1256	384	329	285	M24	20	12	6	6	16	14.1	143
350	520	470	78	1275	972	1197	1369	384	336	285	M24	18	16	6	10	16	14.5	180
400	580	525	102	1458	1055	1280	1452	384	336	285	M27	24	16	6	10	16	14.5	229
500	715	650	127	1699	1266	1491	1663	510	354	307	M30	32	20	10	10	16	16.1	408
600	840	770	154	1980	1522	-	-	518	405	411	M33	42	20	10	10	16	25.1	694

\*protecting tube not necessary

① Flange drilling PN10 possible

② All actuators are sufficient for specified pressure conditions on unproblematic media

Other actuators acc. to various conditions are possible

③ DN 50 - 200 in material EN-GJS-400-15 (EN-JS1030) according type MF

④ DN 250 actuator 45° turned

