

WEY® Knife Gate Valve Type MGH-PN16

2.5.51

DN 50–600

Standard Construction

Materials acc. to data sheet 2.0.13

Coating acc. to data sheet 2.0.12

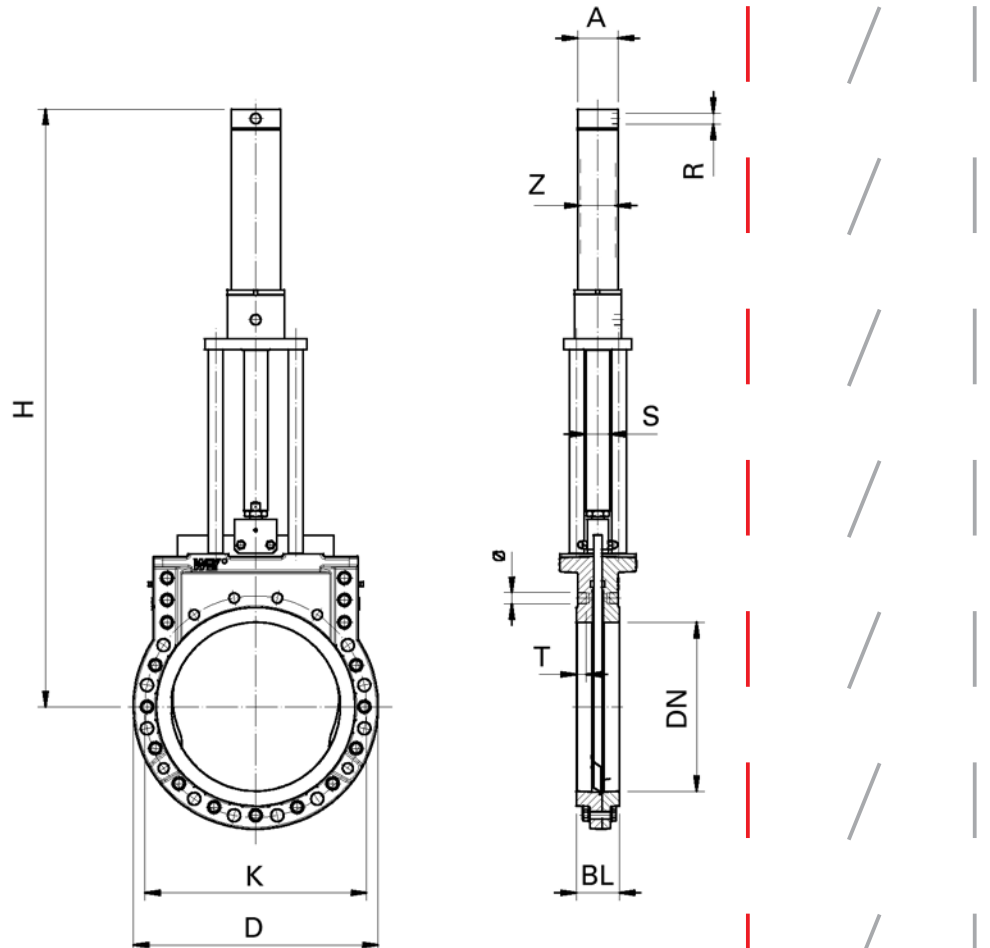
Flange drilling:
 PN10/16 EN 1092 /
 ISO 7005

Face-to-face:
 EN 558-1 / ISO 5752
 part 20

Nominal pressure PN:
 16 bar

Operating pressure:
 Refer to table column OP

Test acc.
 EN-12266-1, rate A



All information for reference only

Technical modifications reserved

DN	D PN16	K PN16 ①	BL	H	Z ②	S	R	A	Ø	T	Qty bolts	⊕	⊕	OP (bar) ②	Weight (kg)
50	165	125	43	416	32	18	3/8	40	M16	18	4	4	-	16	12
80	200	160	46	509	32	18	3/8	40	M16	14	8	4	4	16	13
100	220	180	52	581	40	22	3/8	50	M16	16	8	4	4	16	19
150	285	240	56	736	50	28	3/8	60	M20	16	8	4	4	16	33
200	340	295	60	871	63	36	1/2	75	M20	18	12	6	6	16	43
250	405	355	68	1094	80	45	3/4	95	M24	15.5	12	6	6	16	71
300	460	410	78	1229	80	45	3/4	95	M24	20	12	6	6	16	104
350	520	470	78	1394	100	56	3/4	115	M24	18	16	6	10	16	133
400	580	525	102	1523	100	56	3/4	115	M27	24	16	6	10	16	182
500	715	650	127	1822	125	70	3/4	140	M30	32	20	10	10	16	331
600	840	770	154	2198	160	90	1 1/4	190	M33	42	20	10	10	16	528

① Flange drilling PN10 possible

② Valid at a minimum control pressure 100 bar for medium group 1, max. control pressure 180 bar

Other cylinder sizes according to operating and control pressure are available

③ DN 50 - 200 in material EN-GJS-400-15 (EN-JS1030) according type MF

