

## Speed WEY® HSI High Speed Isolation Valve

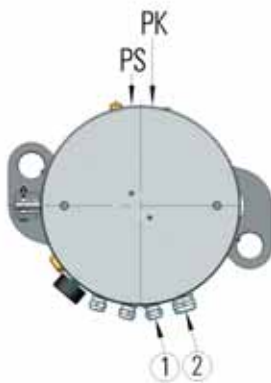
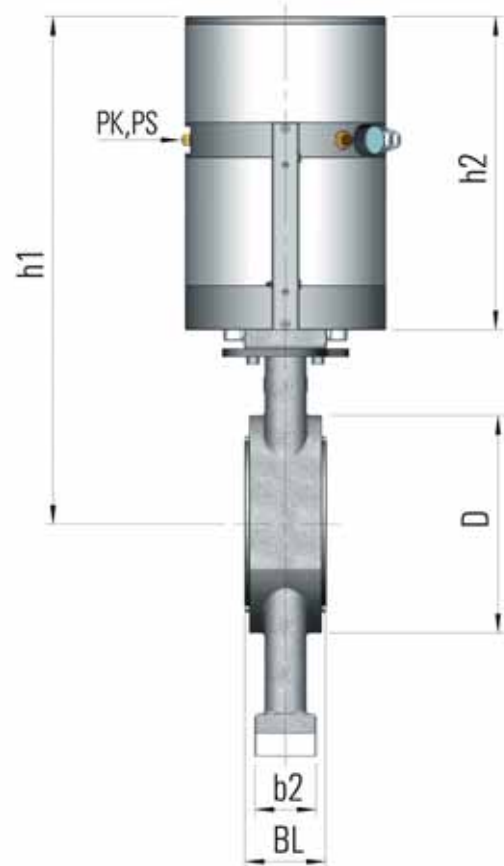
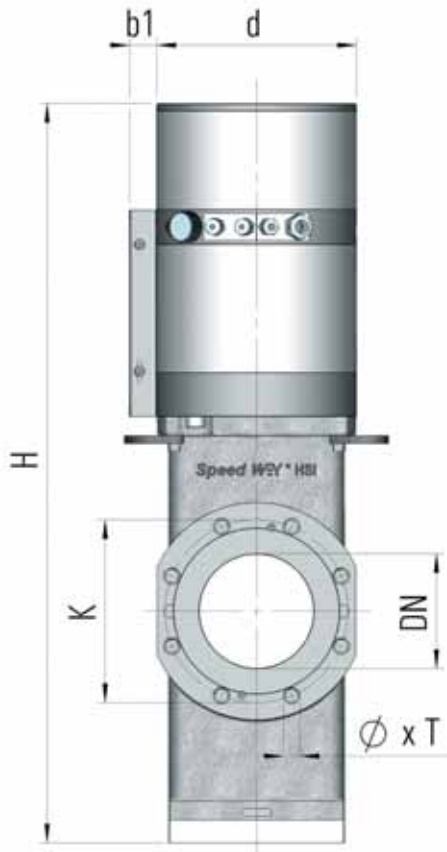
2.9.00



Isolates within milliseconds to protect human life & facilities.

E  
X  
P  
L  
O  
S  
I  
O  
N  
S  
I

## Speed WEY® HSI High Speed Isolation Valve



- ① EMV Cable-gland  
 ø 6-10 EEx e IP65
- ② EMV Cable-gland  
 ø 14-18 EEx e IP65

Flange Connection EN 1092 / ISO 7005  
 (DIN 2501)

DN 100-400 PN16

- P-Nominal: max. 16 bar/230 psi  
 explosion pressure-resistant
- P-Explosion: max. 24 bar/350 psi  
 explosion pressure shock-resistant
- P-Container: max. 6-8 bar/90-115 psi
- P-Control: max. 2-4 bar/30-60 psi

Alterations reserved

Dimensions in mm

DN	D	K	BL	H	h1	h2	d	b1	b2	ø	T	Bolts (Qty)	PK	PS	Closing time ts (ms)*	Weight (kg)
100	220	180	86	761	550	359	210	35	60	M16	24	8	G1/8"	G1/8"	23	47
150	285	240	106	970	666	411	262	35	80	M20	27	8	G1/8"	G1/8"	26	75
200	340	295	112	1166	773	465	312	35	80	M20	30	12	G1/8"	G1/8"	34	132
250**	405	355	130	1390	915	519	365	35	100	M24	34	12	G1/8"	G1/8"	32	215
300**	475	410	134	1580	1024	570	415	35	100	M24	34	12	G1/8"	G1/8"	38	280
400**	580	525	154	2077	1352	711	520	35	140	M27	38	16	G1/8"	G1/8"	53	570

\* at 6 bar/90psi

\*\* inclusive internal booster