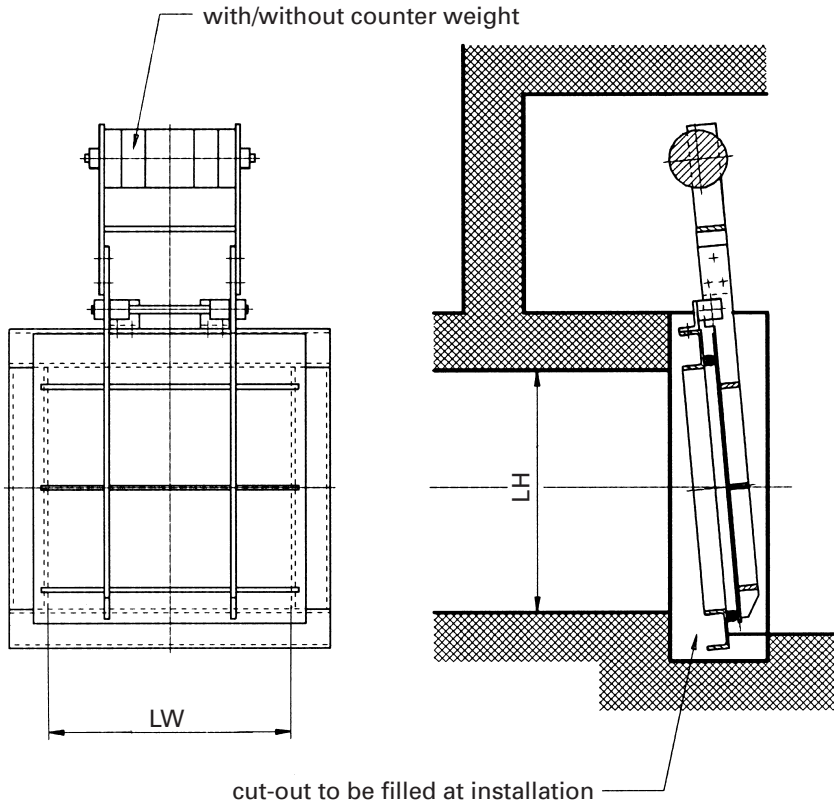


WEY® Flap Valve

Type 6.4

3.7.10



	/	
	/	
	/	
	/	
	/	
	/	
	/	



LW	Width	_____ mm		/	
LH	Height	_____ mm		/	
▼	Max. water pressure	_____ mm		/	

Standard construction
 Frame: material 1.4541 or 1.4571
 Flap: material 1.4541 or 1.4571
 Weight: Cast Iron

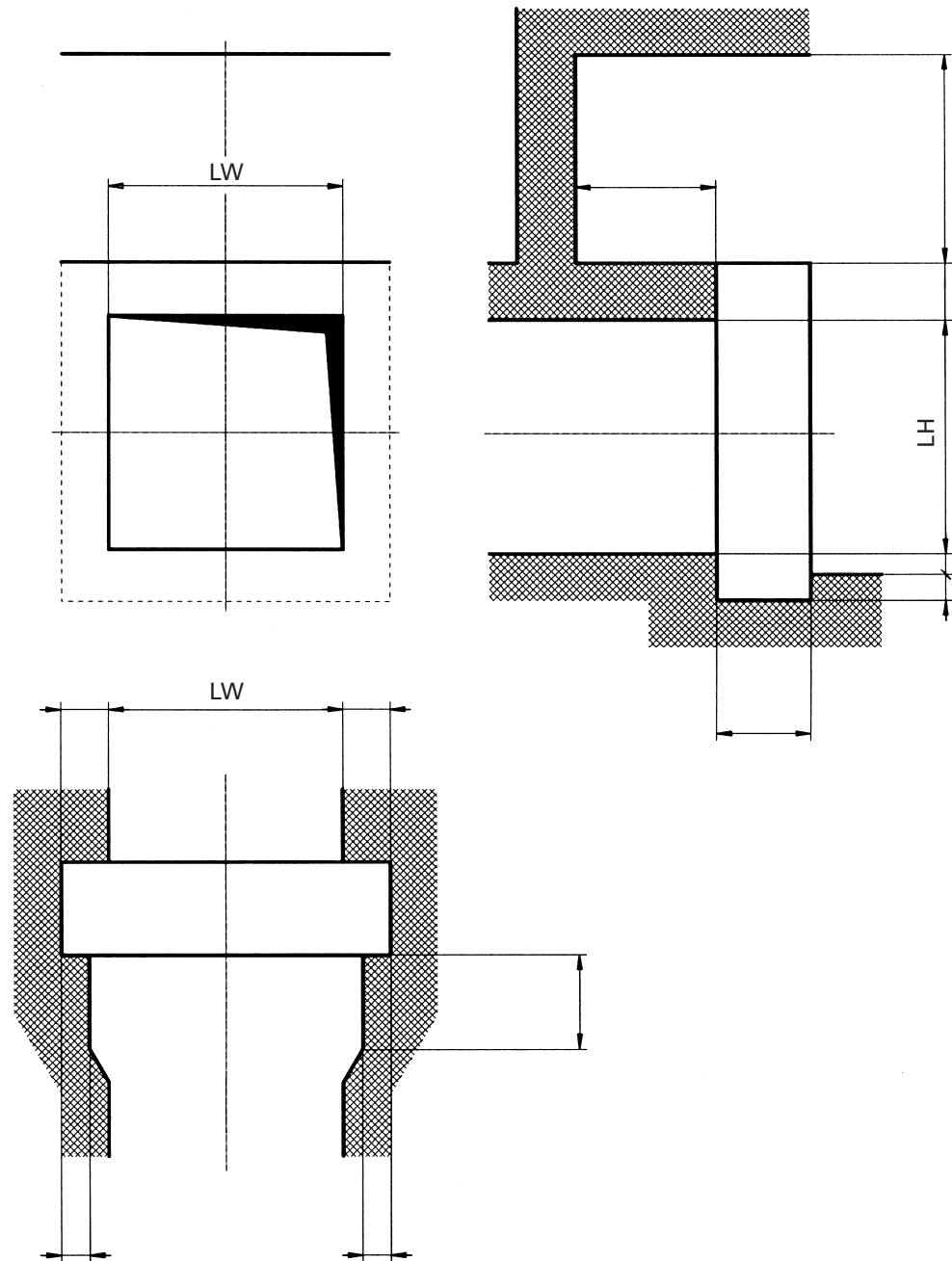
Special designs on request

All information for reference only

Modifications reserved

	/	
	/	
	/	
	/	
	/	
	/	
	/	

Cut-Out



All information
for reference only

Technical modifications
reserved