

**WEY® Eccentric Butterfly Valve Type TZ 01-5**

**4.1.50**

with Cross Head Gear Type GK



**Standard Construction**

Body: Ductile Iron EN-JS1030

Actuation: Handwheel/Cross Head Gear

Disc: Ductile Iron EN-JS1030

Nominal pressure: 10/16 bar

Corrosion protection: Body inside with enamel finish and outside with a cermet and top coat RAL 5015.

Flange drilling EN 1092 / ISO 7005

Face-to-face EN 558-1 / ISO 5752 part 14

Shaft: 1.4057

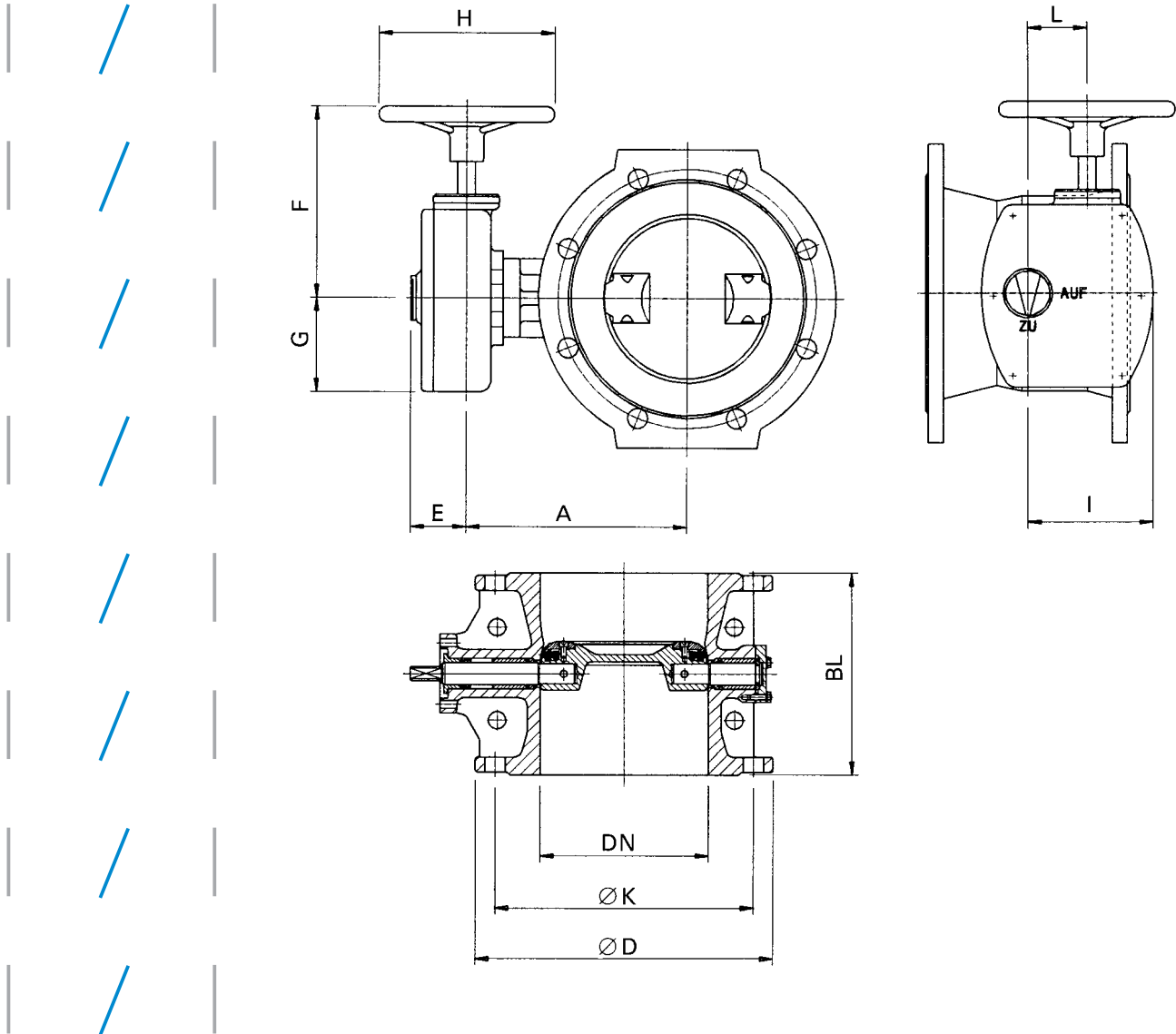
Actuating flange: acc. to ISO 5211

Bearing: 2.1090

Test acc. EN-12266-1, rate A

Seal: EPDM

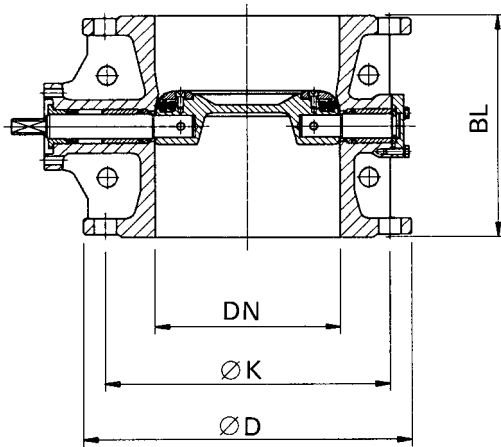
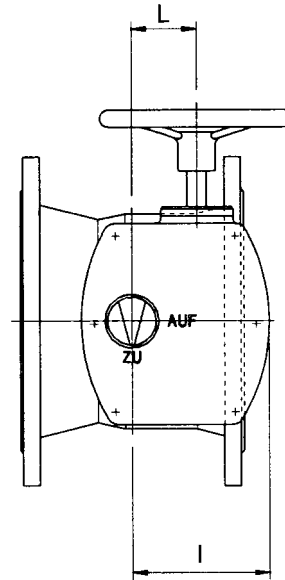
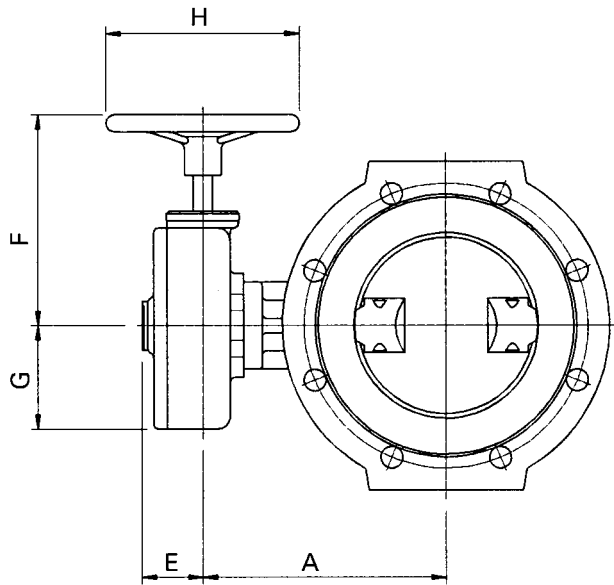
Size DN 200 and larger include flange footing



Nominal pressure PN max. 10 bar, flange drilling PN 10

| DN  | D   | K   | BL  | A   | E  | H   | G   | F   | I   | L  | Qty screws | Actuating Flange | Gear GK | Turns to close | Weight (kg) |
|-----|-----|-----|-----|-----|----|-----|-----|-----|-----|----|------------|------------------|---------|----------------|-------------|
| 100 | 220 | 180 | 190 | 172 | 63 | 200 | 107 | 233 | 141 | 67 | 8 × M16    | F07              | 1       | 24             | 30          |
| 125 | 250 | 210 | 200 | 222 | 63 | 200 | 107 | 233 | 141 | 67 | 8 × M16    | F07              | 1       | 24             | 42          |
| 150 | 285 | 240 | 210 | 227 | 63 | 200 | 107 | 233 | 141 | 67 | 8 × M20    | F07              | 1       | 24             | 51          |
| 200 | 340 | 295 | 230 | 252 | 63 | 200 | 107 | 233 | 141 | 67 | 8 × M20    | F07              | 1       | 24             | 55          |
| 250 | 400 | 350 | 250 | 277 | 63 | 200 | 107 | 233 | 141 | 67 | 12 × M20   | F10              | 1       | 24             | 75          |
| 300 | 445 | 400 | 270 | 306 | 63 | 200 | 107 | 233 | 141 | 67 | 12 × M20   | F10              | 1       | 24             | 88          |
| 350 | 505 | 460 | 290 | 360 | 85 | 300 | 161 | 296 | 198 | 99 | 16 × M20   | F12              | 2       | 27             | 144         |
| 400 | 565 | 515 | 310 | 425 | 85 | 300 | 161 | 296 | 198 | 99 | 16 × M24   | F12              | 2       | 27             | 199         |
| 500 | 670 | 620 | 350 | 475 | 85 | 300 | 161 | 296 | 198 | 99 | 20 × M24   | F14              | 2       | 27             | 310         |
| 600 | 780 | 725 | 390 | 575 | 85 | 300 | 161 | 296 | 198 | 99 | 20 × M27   | F16              | 2       | 27             | 400         |

Large size on request.



All information for reference only

Modifications reserved

Nominal pressure PN max. 16 bar, flange drilling PN 16

| DN    | D   | K   | BL  | A   | E  | H   | G   | F   | I   | L  | Qty screws | Actuating Flange | Gear GK | Turns to close | Weight (kg) |
|-------|-----|-----|-----|-----|----|-----|-----|-----|-----|----|------------|------------------|---------|----------------|-------------|
| 100   | 220 | 180 | 190 | 172 | 63 | 200 | 107 | 233 | 141 | 67 | 8 × M16    | F07              | 1       | 24             | 30          |
| 125   | 250 | 210 | 200 | 222 | 63 | 200 | 107 | 233 | 141 | 67 | 8 × M16    | F07              | 1       | 24             | 42          |
| 150   | 285 | 240 | 210 | 227 | 63 | 200 | 107 | 233 | 141 | 67 | 8 × M20    | F07              | 1       | 24             | 51          |
| 200   | 340 | 295 | 230 | 252 | 63 | 200 | 107 | 233 | 141 | 67 | 12 × M20   | F07              | 1       | 24             | 55          |
| 250   | 400 | 355 | 250 | 277 | 63 | 200 | 107 | 233 | 141 | 67 | 12 × M24   | F10              | 1       | 24             | 75          |
| 300   | 455 | 410 | 270 | 306 | 85 | 300 | 161 | 296 | 198 | 99 | 12 × M24   | F12              | 2       | 27             | 144         |
| 350   | 520 | 470 | 290 | 360 | 85 | 300 | 161 | 296 | 198 | 99 | 16 × M24   | F12              | 2       | 27             | 144         |
| 400   | 580 | 525 | 310 | 425 | 85 | 300 | 161 | 296 | 198 | 99 | 16 × M27   | F14              | 2       | 27             | 199         |
| 500*  | 715 | 650 | 350 | 475 | 85 | 300 | 161 | 296 | 198 | 99 | 20 × M30   | F14              | 2       | 27             | 310         |
| 600** | 840 | 770 | 390 | 575 | 85 | 300 | 161 | 296 | 198 | 99 | 20 × M33   | F16              | 2       | 27             | 400         |

\*max. 10 bar \*\*max. 6 bar

Large size on request.

