

WEY® Eccentric Butterfly Valve Type TZ 01-9

4.1.90

with Cross Head Gear Type GK Underground



Standard Construction

Body:
Ductile Iron EN-JS1030

Disc:
Ductile Iron EN-JS1030

Corrosion protection:
Body inside with enamel finish and outside with a cermet and top coat RAL 5015.

Shaft: 1.4057

Bearing: 2.1090

Seal:
EPDM

Actuation: Spindle extension and square on Cross Head Gear

Underground tube in PVC

Underground depth
1500 mm

Nominal pressure:
10/16 bar

Flange drilling PN10/16
EN 1092 / ISO 7005

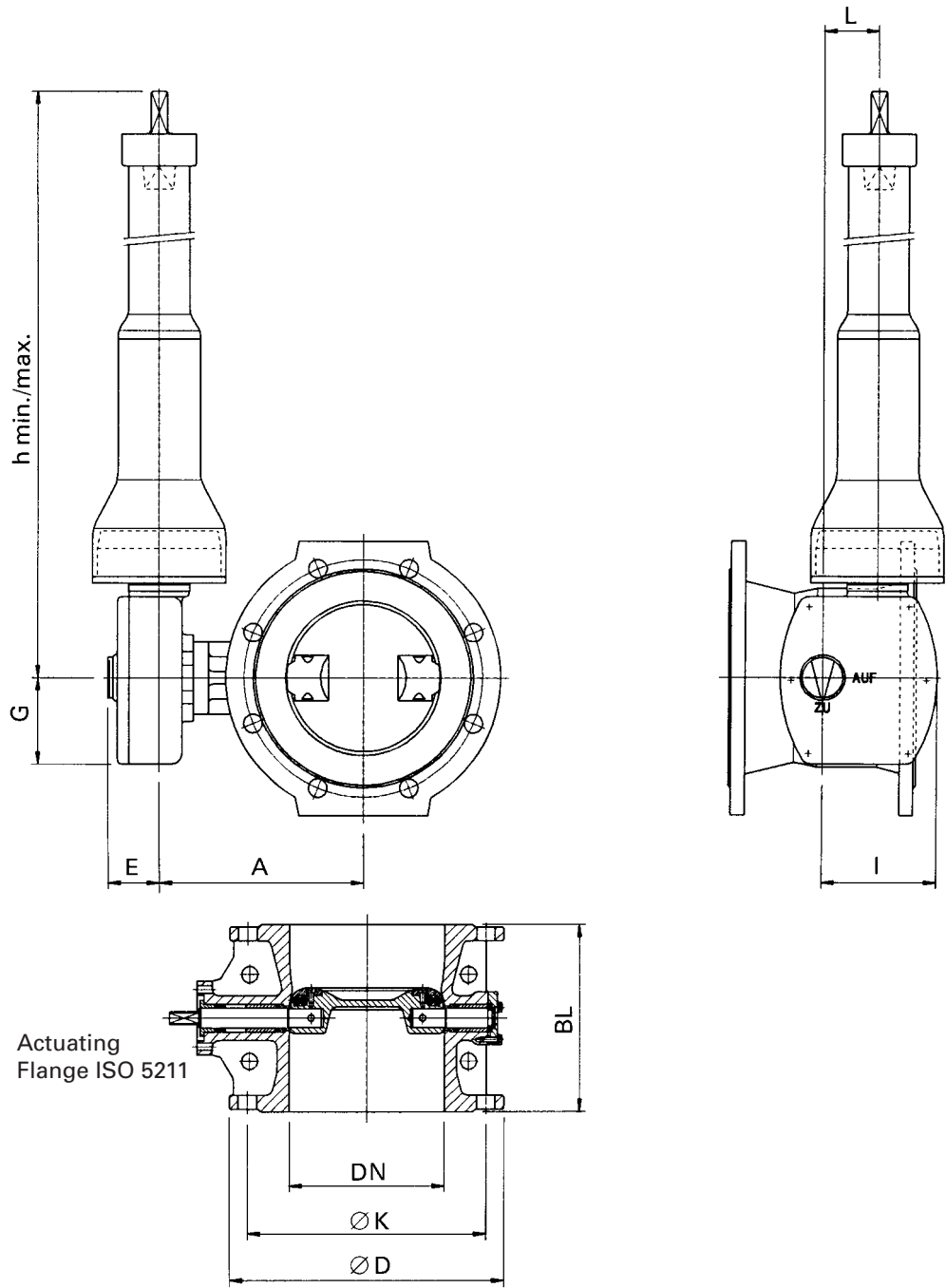
Face-to-face
EN 558-1 / ISO 5752 part 14

Actuating flange:
acc. ISO 5211

Test acc. EN-12266-1,
rate A

Size DN 200 and larger include flange footing



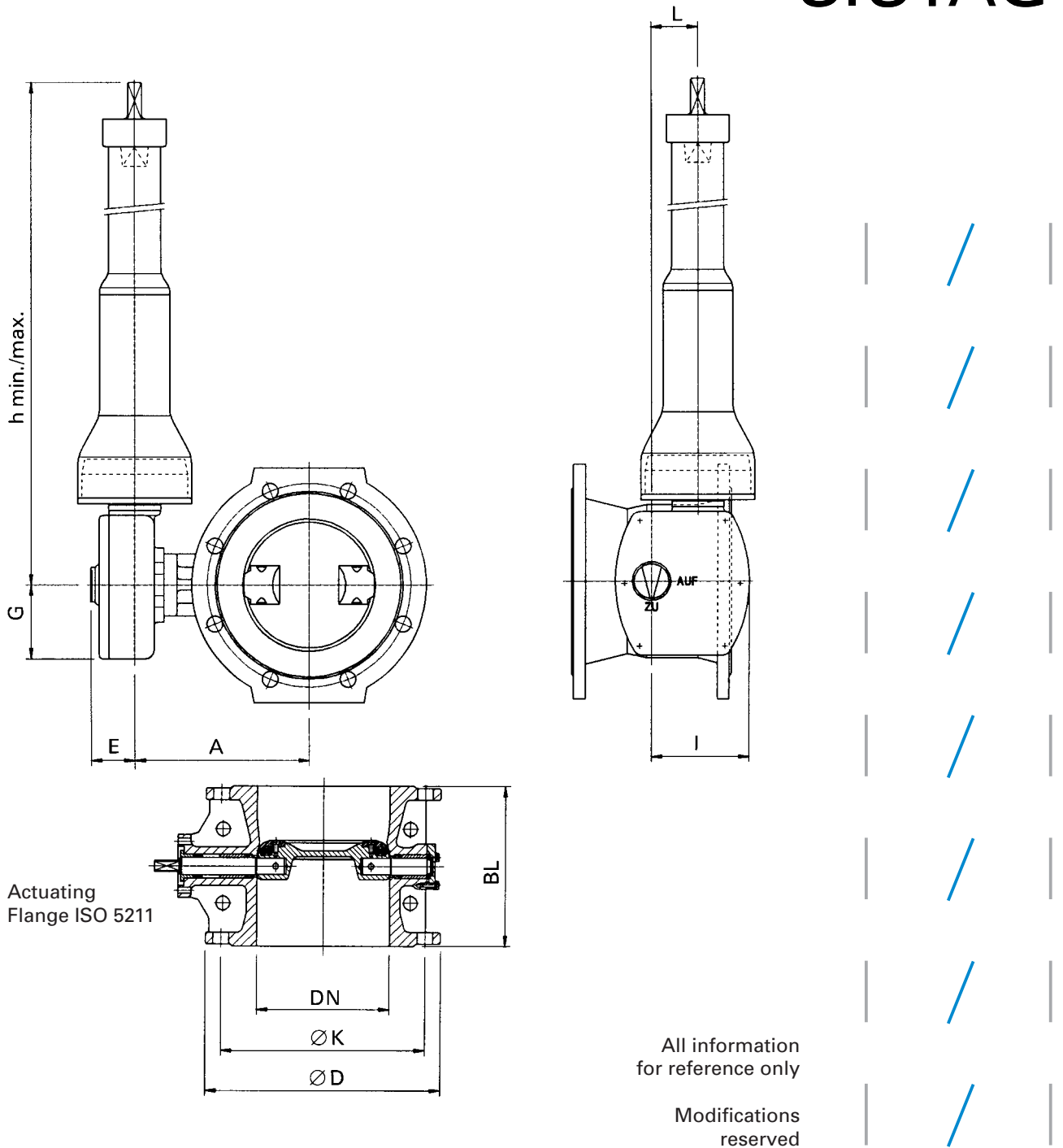


Nominal pressure PN max. 10 bar, flange drilling PN 10

DN	D	K	BL	A	E	G	h min.	h max.	I	L	Qty screws	Actuating Flange	Gear GK	Turns to close	Weight (kg)
100	220	180	190	172	63	107	700	1700	141	67	8 × M16	F07	1	24	39
125	250	210	200	222	63	107	700	1700	141	67	8 × M16	F07	1	24	51
150	285	240	210	227	63	107	700	1700	141	67	8 × M20	F07	1	24	60
200	340	295	230	252	63	107	700	1700	141	67	8 × M20	F07	1	24	64
250	400	350	250	277	63	107	700	1700	141	67	12 × M20	F10	1	24	84
300	455	400	270	306	63	107	700	1700	141	67	12 × M20	F10	1	24	97
350	505	460	290	360	85	161	750	1750	198	99	16 × M20	F12	2	27	153
400	565	515	310	425	85	161	750	1750	198	99	16 × M24	F12	2	27	208
500	670	620	350	475	85	161	750	1750	198	99	20 × M24	F14	2	27	319
600**	780	725	390	575	85	161	750	1750	198	99	20 × M27	F16	2	27	409

**max. 6 bar

Large size on request.



Nominal pressure PN max. 16 bar, flange drilling PN 16

DN	D	K	BL	A	E	G	h min.	h max.	I	L	Qty screws	Actuating Flange	Gear GK	Turns to close	Weight (kg)
100	220	180	190	172	63	107	700	1700	141	67	8 × M16	F07	1	24	39
125	250	210	200	222	63	107	700	1700	141	67	8 × M16	F07	1	24	51
150	285	240	210	227	63	107	700	1700	141	67	8 × M20	F07	1	24	60
200	340	295	230	252	63	107	700	1700	141	67	12 × M20	F07	1	24	64
250	400	355	250	277	63	107	700	1700	141	67	12 × M24	F10	1	24	84
300	455	410	270	306	85	161	750	1750	141	99	12 × M24	F12	2	27	123
350	520	470	290	360	85	161	750	1750	198	99	16 × M24	F12	2	27	153
400	580	525	310	425	85	161	750	1750	198	99	16 × M27	F14	2	27	208
500*	715	650	350	475	85	161	750	1750	198	99	20 × M30	F14	2	27	319
600**	840	770	390	575	85	161	750	1750	198	99	20 × M33	F16	2	27	409

*max. 10 bar **max. 6 bar

Large size on request.

