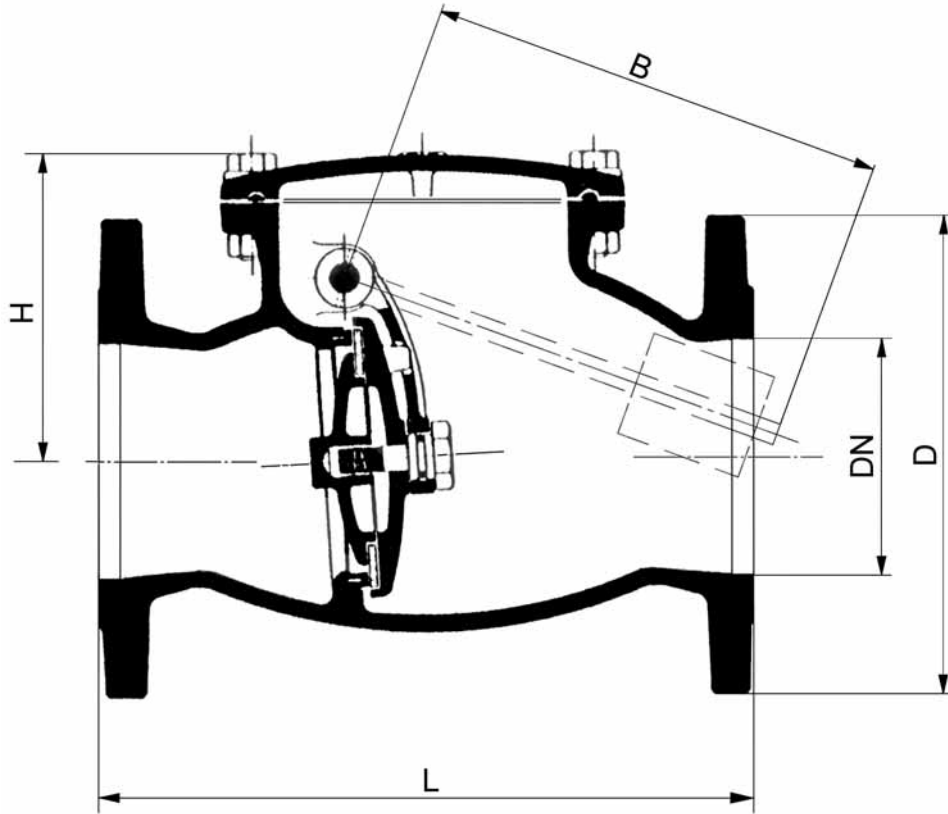


Check Valve Type 460

6.1.12



DN	L	H	D	B	LK Ø	Qty Screws	Weight (kg)
250	600	350	395	230	350	12×M20	185
300	700	390	445	250	400	12×M20	270
350	800	440	505	400	460	16×M20	355
400	900	475	565	400	515	16×M24	480

Standard Construction

Body: Cast Iron EN-JL1040
 Disc: Cast Iron EN-JL1040
 Seat: Chrome Steel
 Seal: NBR
 Shaft: Chrome Steel
 Bearing: PTFE

Nominal pressure: 10 bar
 Flange drilling: PN10/16 EN 1092 / ISO 7005
 Face-to-face: EN 558-1 / ISO 5752 part 14

All information for reference only

Modifications reserved